

PRO

Installation Guide

Included Installation Instructions

Network Camera For professional use only

Model No. WV-S4576L Outdoor use

WV-S4576LM Outdoor use

WV-S4556L Outdoor use

WV-S4556LM Outdoor use

About the user manuals

Product documentation is composed of the following documents.

- **Installation Guide (this document)**: Provides information about “Precautions”, “Precautions for installation” and the installation method.
- **Basic Information (in the following manual website)**: Provides information about “Precautions for use” and “Detail specifications”.
- **Operating Instructions (in the following manual website)**: Explains how to perform the settings and how to operate this camera.
https://i-pro.com/global/en/surveillance/documentation_database

“<Control No.: C***>” used in these documents should be used to search for information on our support website (https://i-pro.com/global/en/surveillance/training_support/support/technical_information) and will guide you to the right information.

- Before attempting to connect or operate this product, please read these instructions carefully and save this manual for future use.
- SDXC/ SDHC/ SD memory card is described as SD memory card.
- The external appearance and other parts shown in this manual may differ from the actual product within the scope that will not interfere with normal use due to improvement of the product.

For U.S. and Canada:

i-PRO Americas Inc.

https://www.i-pro.com/

For Europe and other countries:

i-PRO Co., Ltd. Fukuoka, Japan

https://www.i-pro.com/

i-PRO EMEA B.V. UK Branch
1010 Cambourne Business Park,
Cambridgeshire CB23 6DP

Authorised Representative in EU:
i-PRO EMEA B.V.
Laarderhoogweg 25, 1101 EB
Amsterdam, Netherlands

* PGQX 2 4 8 9 YA *

Cs0921-1042

Printed in China

Disposal of Old Equipment and Batteries

Only for European Union and countries with recycling systems

These symbols on the products, packaging, and/or accompanying documents mean that used electrical and electronic products and batteries must not be mixed with general household waste.

For proper treatment, recovery and recycling of old products and used batteries, please take them to applicable collection points in accordance with your national legislation.

By disposing of them correctly, you will help to save valuable resources and prevent any potential negative effects on human health and the environment.

For more information about collection and recycling, please contact your local authority. Penalties may be applicable for incorrect disposal of this waste, in accordance with national legislation.

Note for the battery symbol (bottom symbol)

This symbol might be used in combination with a chemical symbol. In this case it complies with the requirement set by the Directive for the chemical involved.

For U.S.A.

NOTE: This equipment has been tested and found to comply with the limits for a Class A digital device, pursuant to Part 15 of the FCC Rules. These limits are designed to provide reasonable protection against harmful interference when the equipment is operated in a commercial environment. This equipment generates, uses, and can radiate radio frequency energy and, if not installed and used in accordance with the instruction manual, may cause harmful interference to radio communications.

Operation of this equipment in a residential area is likely to cause harmful interference in which case the user will be required to correct the interference at his own expense.

FCC CAUTION: Changes or modifications not expressly approved by the party responsible for compliance could void the user's authority to operate the equipment.

Supplier's Declaration of conformity

Trade name : i-PRO
Model No. : WV-S4576L/WV-S4576LM
 WV-S4556L/WV-S4556LM

Responsible Party :
i-PRO Americas Inc.
8550 Fallbrook Drive, Suite 200 Houston,
Texas 77064
Support Contact : 1-800-513-5417

For U.S.A.

The model number and serial number of this product may be found on the surface of the unit.

You should note the model number and serial number of this unit in the space provided and retain this book as a permanent record of your purchase to aid identification in the event of theft.

Model No. _____
Serial No. _____

For U.S.A.

This device complies with part 15 of the FCC Rules. Operation is subject to the following two conditions: (1) This device may not cause harmful interference, and (2) this device must accept any interference received, including interference that may cause undesired operation.

For Canada

CAN ICES-3(A)/NMB-3(A)

Méthode d'installation	Vis de fixation recommandée	La capacité de traction minimale requise
Quand la caméra vidéo est directement installée au plafond ou sur le mur.	M4 x 16 mm (5/8 pouces) / 4 é.*	196 N [44 lbf]

* La longueur de la vis est un exemple lors de l'installation de la caméra au plafond ou sur un mur robuste d'une épaisseur de 20 mm [25/32 pouces] ou plus.

Caution:

- The DC power supply connected to the camera must be in the same building.
- The network camera is only intended for a connection to an ethernet or PoE network without routing to the outside plant.
- This product has no power switch. Be sure to install disconnect devices such as a circuit breaker to shut down the main power of power supplying equipment to this product.
- Only connect 12 V DC Class 2 power supply (UL 1310/CSA 223) or limited power source (IEC/EN/UL/CSA 60950-1, IEC/EN/UL/CSA 62368-1 Annex Q) or IEC/EN/UL/CSA 62368-1 PS2.
- Before attempting to connect or operate this product, please read these instructions carefully.

Notice:

- This product is not suitable for use in locations where children are likely to be present.
- Do not install this product in locations where ordinary persons can easily reach.
- This product is a professional equipment.
- For information about screws and other parts required for installation, refer to the corresponding section of this document.

■ : Direct current symbol

Precautions

Do not insert any foreign objects.

Fire or electrical shock may be caused if water or any foreign objects, such as metal objects, enter inside the unit. Turn the power off immediately and contact qualified service personnel for service.

Do not use this product in an inflammable atmosphere.

Failure to observe this may cause an explosion resulting in injury.

Avoid installing this product in the locations where salt damage occurs or corrosive gas is produced.

Otherwise, the mounting portions will deteriorate and injury or accidents due to a fall of the product may occur.

Do not strike or give a strong shock to this product.

Failure to observe this may cause injury or fire.

Keep SD memory cards away from infants and children.

Otherwise, they may swallow the cards by mistake.

In this case, consult a doctor immediately.

Do not hang down from this product or use this product as a pedestal.

Failure to observe this may cause injury or accidents.

Do not damage the power cable.

Do not damage, fabricate, twist, stretch, bundle, or forcibly bend the power cable. Do not place heavy objects on it, and keep it away from heat sources.

Use of a damaged power cable may cause electric shock, short circuit, or fire.

Consult the dealer for repair.

Do not install this product on a place that is greatly influenced by wind.

Installation on a place where the wind speed is 60 m/s (approx. 134 mph) or more may cause a fall of the product resulting in injury or accidents.

Do not sprinkle more water, exceeding the performance limit of waterproof with a high pressure cleaning machine, etc.

Fire or electrical shock may be caused by immersion.

Do not attempt to disassemble or modify this product.

Failure to observe this may cause fire or electric shock. Consult the dealer for the repair or inspections.

Do not install or clean the camera, or touch this product, the power cable or the connected cables during thunder storms.

Failure to observe this may cause electric shock.

Refer installation work to the dealer.

Installation work requires technique and experience. Failure to observe this may cause fire, electric shock, injury, or damage to the product. Be sure to consult the dealer.

Stop the operation immediately when something is wrong with this product.

When smoke goes up from the product, the smell of smoke comes from the product, or the exterior of the product has deteriorated, continued use will cause a fire or fall of the product resulting in injury, or damage to the product. In this case, turn the power off immediately and contact qualified service personnel for service.

Select an installation area that can support the total weight.

Selecting an inappropriate installation surface may cause this product to fall down or topple over, resulting in injury or accidents. Installation work shall be started after sufficient reinforcement.

Periodic inspections shall be conducted.

Rust on the metal parts or screws may cause a fall of the product resulting in injury or accidents.

Consult the dealer for the inspections.

The exclusively designed mount bracket shall be used.

Failure to observe this may cause a drop resulting in injury or accidents.

Use the exclusively designed mount bracket for installation.

The screws and bolts must be tightened to the specified torque.

Failure to observe this may cause a drop resulting in injury or accidents.

Turn the power off when do wiring of this product.

Failure to observe this may cause electric shock. In addition, short circuit or wrong wiring may cause fire.

Install this product in a location high enough to avoid people and objects from bumping the product.

Failure to observe this may cause injury.

Do not install this product in locations subject to vibration.

Loosening of mounting screws or bolts may cause a fall of the product resulting in injury or accidents.

Correctly perform all wiring.

Short circuits in the wiring or incorrect wiring may cause fire or electrical shock.

Install the product securely on a wall or a ceiling in accordance with the installation instructions.

Failure to observe this may cause injury or accidents.

Do not rub the edges of metal parts with your hand.

Failure to observe this may cause injury.

Do not touch the metal part of the bottom side of the product.

The metal part of the bottom side may become hot while the product is in use. Direct skin contact with high-temperature parts of the product may cause burns.

Turn the power off when cleaning this product.

Failure to observe this may cause injury.

About notations

The following notations are used when describing the functions limited for specified models.

The functions without the notations are supported by all models.

S4576L The functions with this notation are available when using the model WV-S4576L (9-megapixel model).

S4576LM The functions with this notation are available when using the model WV-S4576LM (9-megapixel model).

S4556L The functions with this notation are available when using the model WV-S4556L (5-megapixel model).

S4556LM The functions with this notation are available when using the model WV-S4556LM (5-megapixel model).

Open Source Software

- This product contains open source software licensed under GPL (GNU General Public License), LGPL (GNU Lesser General Public License), etc.
- Customers can duplicate, distribute and modify the source code of the software under license of GPL and/or LGPL.
- For details concerning licensing and source code of open source software, click "Click here for OSS information" on "Support" page of the setup menu of this product and read the displayed content.
- Please note that we shall not respond to any inquiries regarding the contents of the source code.

Copyright

Except for open source software licensed under GPL/LGPL and so on, distributing, copying, disassembling, reverse compiling and reverse engineering of the software provided with this product are all expressly prohibited. In addition, exporting any software provided with this product violating export laws is prohibited.

Trademarks and registered trademarks

- Microsoft, Windows, Windows Media, Internet Explorer, Microsoft Edge, and ActiveX are either registered trademarks or trademarks of Microsoft Corporation in the United States and/or other countries.
- Intel and Intel Core are trademarks of Intel Corporation or its subsidiaries in the U.S. and/or other countries.
- Adobe, Acrobat, and Reader are either registered trademarks or trademarks of Adobe in the United States and/or other countries.
- SDXC Logo is a trademark of SD-3C, LLC.
- iPad and iPhone are trademarks of Apple Inc., registered in the U.S. and other countries.
- Android and Google Chrome are trademark of Google LLC.
- Firefox is a trademark of the Mozilla Foundation in the US and other countries.
- The word "QR Code" is a registered trademark of DENSO WAVE INCORPORATED in Japan and other countries.
- All other trademarks identified herein are the property of their respective owners.

Precautions for installation

i-PRO Co., Ltd. assumes no responsibility for injuries or property damage resulting from failures arising out of improper installation or operation inconsistent with this documentation.

In order to prevent injury, the product must be securely mounted to a ceiling or wall according to Installation Guide.

Installation area for this product

- Select an appropriate place for the installation area (such as a strong wall or ceiling) in your particular environment.
- Make sure that the installation area is strong enough to hold this product, such as a concrete ceiling.
- Install the camera in the foundation area of the architecture or where sufficient strength is assured.
- Do not mount the product on a plaster board or a wooden section because they are too weak. If the product is unavoidably mounted on such a section, the section shall be sufficiently reinforced.

Install the product in areas that do not receive direct sunlight.

Do not place this product in the following places

- Locations where a chemical agent is used such as a swimming pool
- Locations subject to moisture or oil smoke such as a kitchen
- Locations that have a specific environment that is subject to an inflammable atmosphere or solvents
- Locations where a radiation, an X-ray, a strong radio wave or a strong magnetic field is generated
- Locations near coasts directly subjected to sea breezes, or locations subject to corrosive gases such as from hot springs, volcanic regions, etc.
- Locations where the temperature is not within the specified range
- Locations subject to vibrations, such as on vehicles, marine vessels, or above product lines (This product is not designed for on-vehicle use.)

- Locations subject to condensation as the result of severe changes in temperature
- Locations near rubber products (packing, rubber feet, etc.)

Screws tightening

Do not use an impact driver. Use of an impact driver may damage the screws or cause tightening excessively.

About installing in low temperature environments

When this product is installed and operated in low temperatures below −20 °C [−4 °F], it may not be able to be used normally. If you wait and the camera still does not start up, start using it once the temperature in the environment it is operated in goes above −20 °C [−4 °F]. As the camera warms up, snow or frost accumulated on the dome cover will melt. However, it may not be defrosted from the dome cover depending on the ambient temperature or weather condition.

About reflection of light from outside or IR light

A ghost may appear on the screen depending on the incident angle of external light.

In the case of using the IR light, installation of a camera near a wall may cause reflection of infrared rays resulting in a part of the screen or the entire screen turning whitish.

- Refer to our support website <Control No.: C0109> for image examples and measures to take.

Take notice of humidity

Install this product when the humidity is low. If installation is performed when it is raining or in very humid conditions, the inside may be affected by humidity, causing mist-over inside the dome cover.

Protection from lightning

When cables are used outdoors, there is a chance that they may be affected by lightning. In such a case, install a lightning arrester close to the camera, and make the length of the network cable between the camera and lightning arrester as short as possible to prevent the camera from being affected by lightning.

When noise disturbance may happen

Noise may appear in video or audio near a strong electric field from a TV or radio antenna, motors and transformers, or a strong electric field/magnetic field from a power line (lamp line) of AC100 V or more. Conduct the power distribution work to keep 1 m (3.28 feet) away from them or conduct the electric conduit work using metal pipes. (Be sure to make ground connection of the metal pipes.)

Make sure to remove this product if it will no longer be used.

This product has no power switch.

When turning off the power, disconnect the power supply from the 12 V DC power supply or the PoE device.

About the battery

A battery is installed inside the camera. Do not leave the battery exposed in environments of excessive heat as a result of sunlight or fire.

Equipment classification and power source indication label

Refer to the indication label on the bottom side of this unit for the equipment classification, power source, and other information.

Troubleshooting

Before requesting service, refer to "Troubleshooting" of Basic Information and Operating Instructions. Then, confirm the trouble.

Specifications

 *For further information, refer to the Basic Information.

Power source *1:	DC 12 V S4576L S4556L PoE (IEEE802.3af compliant) S4576LM S4556LM PoE (IEEE802.3af compliant) (Alternative A)
Power consumption *1:	S4576L S4576LM DC 12 V: 1.1 A/Approx. 13.2 W PoE DC 48 V: 270 mA/Approx. 12.95 W (Class 0 device) S4556L S4556LM DC 12 V: 1.03 A/Approx. 12.4 W PoE DC 48 V: 260 mA/Approx. 12.5 W (Class 0 device)
Operating environment	
Ambient operating temperature:	−40 °C to +60 °C *2 [−40 °F to +140 °F] (Power On range: −20 °C to +60 °C [−4 °F to +140 °F])
Ambient operating humidity:	10 % to 100 % (no condensation)

Storage environment	
Storage temperature:	−30 °C to +60 °C [−22 °F to +140 °F]
Storage humidity:	10 % to 95 % (no condensation)
Monitor output *3 (for adjustment):	VBS: 1.0 V [p-p]/75 Ω, composite, ø3.5 mm mini jack (Audio output terminal) An NTSC or PAL signal can be outputted from camera (use software to select NTSC or PAL signal).
EXT I/O terminals:	ALARM IN1 (Alarm input 1/ Black & white input/ Auto time adjustment input) : x1 ALARM IN2 (Alarm input 2/ ALARM OUT) : x1 ALARM IN3 (Alarm input 3/ AUX OUT) : x1
Audio input:	ø3.5 mm stereo mini jack
For microphone input:	Recommended applicable microphone: Plug-in power type (Sensitivity of microphone: −48 dB±3 dB (0 dB=1 V/Pa, 1 kHz)) Input impedance: Approx. 2 kΩ (unbalanced) Supply voltage: 2.5 V ±0.5 V Input level: Approx. −10 dBV
Audio output *3:	ø3.5 mm stereo mini jack (Audio output is monaural.) Output impedance: Approx. 600 Ω (unbalanced) Output level: −20 dBV
Waterproof *4:	IP66 (IEC 60529), Type 4X (UL50E) NEMA 4X compliant
Shock resistance:	50 J (IEC 60068-2-75 compliant), IK10 (IEC 62262)
Wind resistance:	Up to 40 m/s (approx. 89 mph)
Dimensions:	When using base bracket: S4576L S4556L ø164 mm x 96.3 mm (H) [ø6-15/32 inches x 3-25/32 inches (H)] Dome radius 35 mm (1-3/8 inches) When using attachment plate only: ø154 mm x 60.3 mm (H) [ø6-1/16 inches x 2-3/8 inches (H)] Dome radius 35 mm (1-3/8 inches)
Mass:	When using base bracket: S4576L S4556L Approx. 1.3 kg [2.87 lbs] When using attachment plate only: S4576L S4576LM Approx. 880 g (1.94 lbs) S4556L S4556LM Approx. 870 g (1.92 lbs)
Finish:	Main body: Aluminum die cast, i-PRO white Outer fixing screws: Stainless steel (Corrosion-resistant treatment) Dome cover: Polycarbonate resin, Clear
Others:	Tamper-resistant enclosure*5 EN50155 (railroad standard) S4576LM S4556LM ECE-R10 (E approval)

*1 Refer to our support website <Control No.: C0106> for further information about Power source and Power consumption information.

*2 When using with the IR LED light constantly lit, the upper limit of the operating temperature range is +50 °C [+122 °F].

*3 The audio output can be switched to the monitor output. Refer to the Operating Instructions on the our support web site for descriptions of how to switch the output.

*4 Only when installation work is properly performed according to the Installation Guide and appropriate waterproof treatment is performed.

*5 Component that has a structure on which the screws that are accessible after installation cannot be screwed or unscrewed using an ordinary screwdriver.

Optional accessories*1

S4576L S4556L

Ceiling mount bracket : WV-Q105A*2

<i-PRO white brackets>

Selling mount bracket : WV-QCL501-W Wall Mount Bracket: WV-QWL500-W

Wall Mount Bracket : WV-QWL501-W

Attachment Pipe Bracket : WV-QAT500-W

Mount bracket : WV-QSR501-W

*1 Refer to our support website <Control No.: C0501, C0112> for other optional accessories that can be installed.

*2 This product can only be installed indoors when WV-Q105A is used to install it on the ceiling.

Standard accessories

Installation Guide (this document) 1 pc. Code label*1 1 pc.

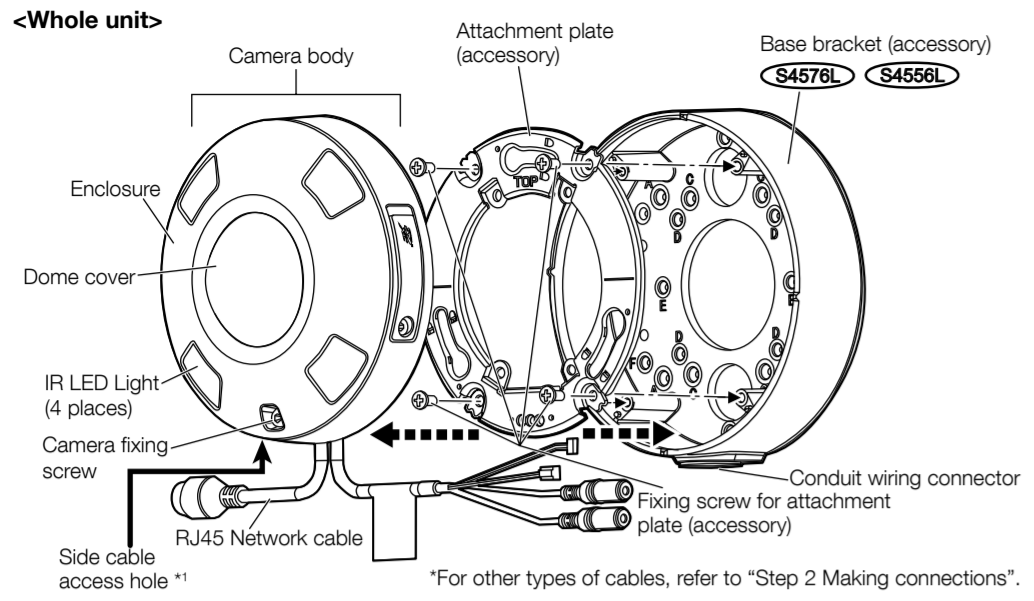
IMPORTANT SAFETY INSTRUCTIONS 1 pc.

*1 This label may be required for network management. Use caution not to lose this label.

The following parts are used during installation procedures.

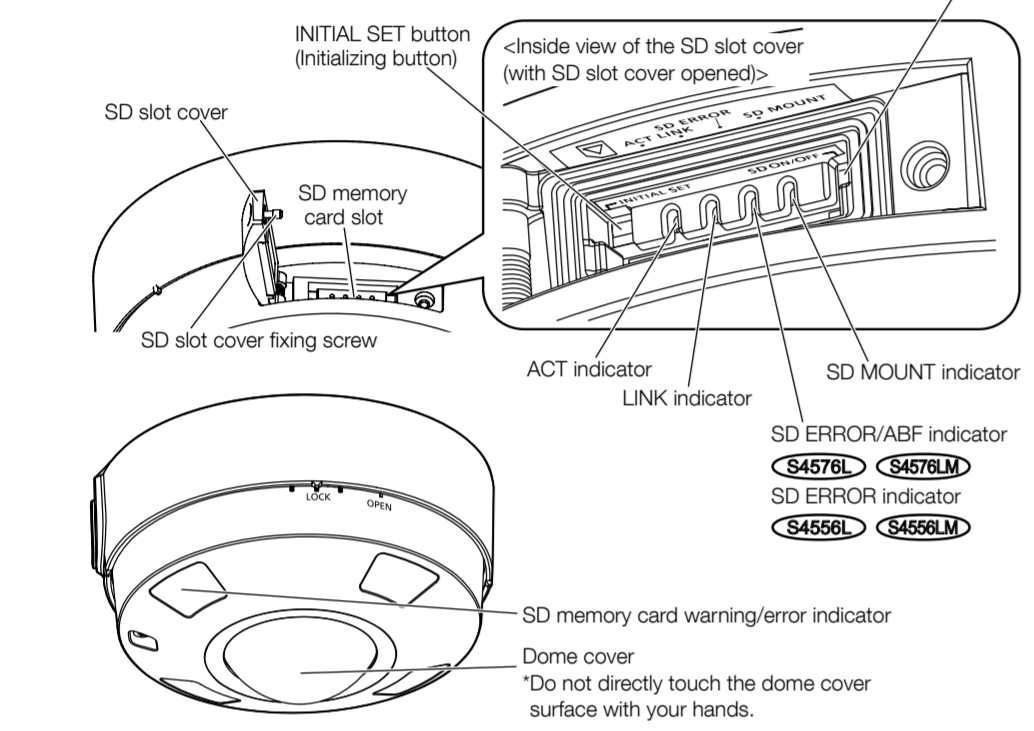
Base bracket S4576L S4556L	1 pc.	Bit (Hex wrench,
--	-------	------------------

Parts and functions



*For other types of cables, refer to "Step 2 Making connections".

<Indicators and buttons>



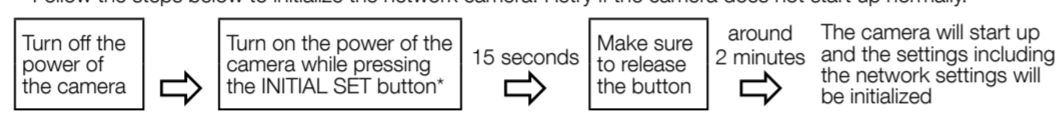
*Do not directly touch the dome cover surface with your hands.

■ Indicators

Note:
 • Lighting/blinking LED can be turned off with the software settings at any time. (The initial state is lighting or blinking.) Refer to the Operating instructions for information about settings.

LINK indicator When the camera is able to communicate with the connected device	Lights orange
ACT indicator When data is being sent via the network camera	Blinks green (accessing)
SD MOUNT indicator When an SD memory card is inserted and could be recognized	Lights off → Blinks green → Lights off
When data can be saved after the SD memory card is inserted and the SD ON/OFF button is pressed (less than 1 second)	Lights off → Lights green
When data can be saved to the SD memory card	Lights green
When the SD memory card is removed after holding down the SD ON/OFF button (about 2 seconds)	(recording) Lights green → Lights off
(waiting for recording)	Lights green → Lights off
When data cannot be saved to the SD memory card because an abnormality was detected or the SD memory card is configured not to be used	Lights off
SD ERROR/AF indicator (S4576L) (S4576LM) (S4556L) (S4556LM) When ABF (Auto Back Focus) operation is being executed	Blinks red (Interval of 1 time/second)
When the network camera is being started	Lights red
When an SD memory card is recognized normally	Lights red → Lights off
When the SD slot is not used or an abnormality is detected in SD card after the camera has started	Lights red → Stays red
SD memory card warning/error indicator (off in the initial state)	Lights red
When a warning status is detected (SD memory card warning detection conditions: After the total use time has exceeded 6 years and the number of overwrite times has exceeded 2000)	
When an error status is detected (SD memory card error detection conditions: Write error, read error, etc.)	Blinks red

■ Buttons



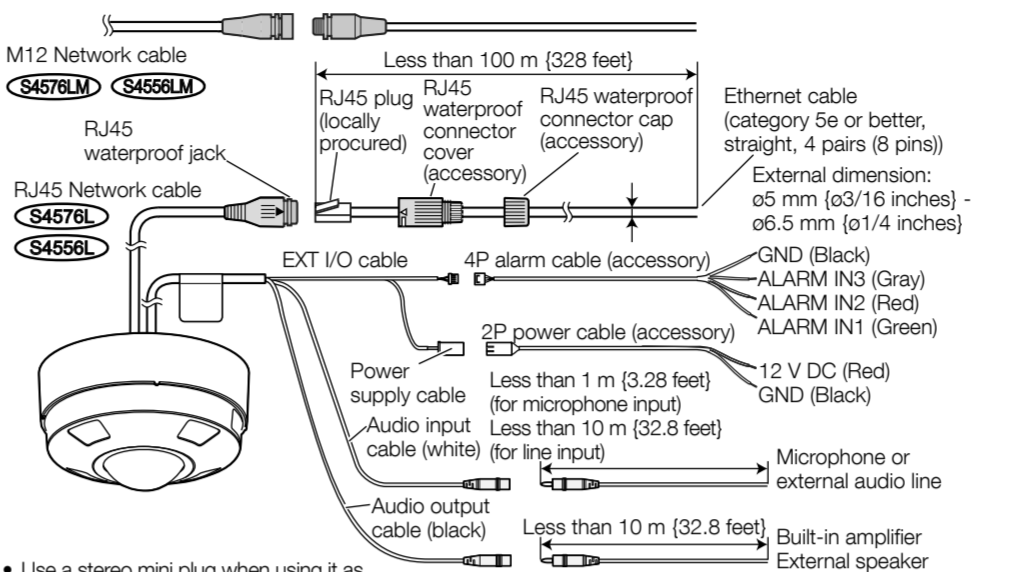
*Do not turn off the power of the camera during the process of initialization. Otherwise, it may fail to initialize and may cause malfunction.

- **SD ON/OFF button**
 - When the SD ON/OFF button is pressed (less than 1 second), the SD MOUNT indicator lights up in green and data can be saved to the SD memory card.
 - When the SD ON/OFF button is held down (about 2 seconds), the SD MOUNT indicator lights off and the SD memory card can be removed.

*1 Processing of side cable access hole (S4576LM) (S4556LM)

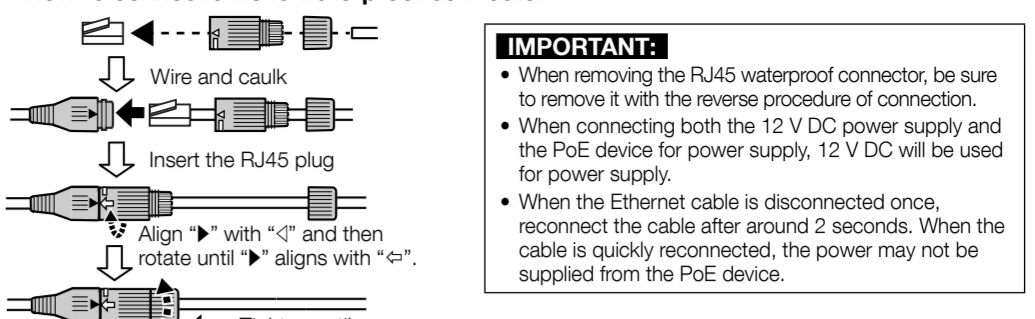
Step2 Making connections

IMPORTANT:
 • Devices to which power can be supplied to this product are PoE hub, PoE power supplying equipment, and external 12 V DC power supply.
 • Turn off each system's power supply before making a connection.



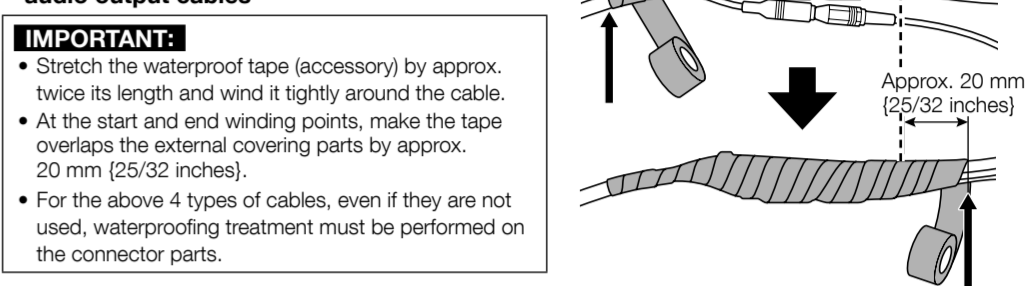
• Use a stereo mini plug when using it as an audio output, and use a monaural mini plug when using it as a monitor output.

■ How to connect a RJ45 waterproof connector



IMPORTANT:
 • When removing the RJ45 waterproof connector, be sure to remove it with the reverse procedure of connection.
 • When connecting both the 12 V DC power supply and the PoE device for power supply, 12 V DC will be used for power supply.
 • When the Ethernet cable is disconnected once, reconnect the cable after around 2 seconds. When the cable is quickly reconnected, the power may not be supplied from the PoE device.

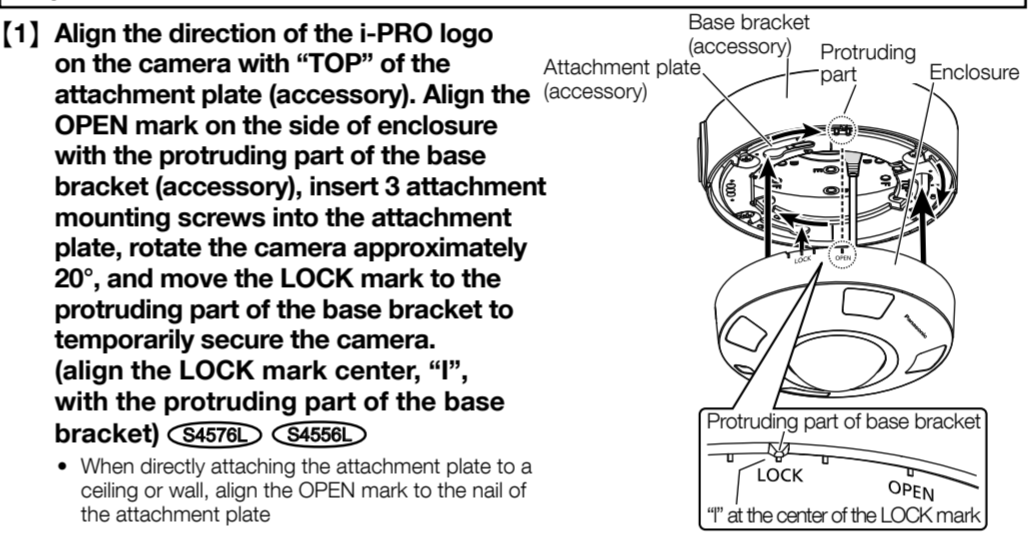
■ Waterproof treatment for external I/O cables, power supply cables, audio input cables, and audio output cables



IMPORTANT:
 • Stretch the waterproof tape (accessory) by approx. twice its length and wind it tightly around the cable.
 • At the start and end winding points, make the tape overlaps the external covering parts by approx. 20 mm (25/32 inches).
 • For the above 4 types of cables, even if they are not used, waterproofing treatment must be performed on the connector parts.

• Do not install connector or cable connection parts in locations where they will be regularly exposed to rain or water.

Step3 Mount the camera



Note:
 • Be careful not to apply unnecessary force to the connector connecting portion or not to pinch the cables when this product is mounted on the base bracket. (S4576L) (S4556L)
 • After the camera has been installed, the orientation of the video can be finely adjusted. For information on how to make adjustments, refer to "Step 4 Adjustment".

[2] Secure the camera by tightening the camera fixing screws by using the bit (accessory).

IMPORTANT:
 • Be sure to tighten the camera fixing screw. Failure to observe this may cause camera trouble due to camera falling. (Recommended tightening torque: 0.78 N·m [0.58 lbf·ft])

[3] If necessary, insert an SD memory card by referring to "Insert / remove an SD memory card".

[4] Remove the protection film from the dome cover.

[5] Turn on power for the camera.

Step1 Processing the installation surface (process according to the installation type)

Common

- Attach the attachment plate (accessory) so that the "TOP" mark is visible.
- Align the TOP direction of the attachment plate (accessory) with the shooting direction (upper direction of the screen), and make holes for securing the camera and holes for wiring (if necessary). When using a double panorama, align the TOP2 direction of the template with the shooting direction (upper direction of the screen). Refer to our support website <Control No.: C0126> After installation is complete, the camera body can be adjusted by ±5° in the PAN direction.
- If open wiring is conducted, be sure to use conduits and run the cables inside the tubes to protect the cables from direct sunlight.

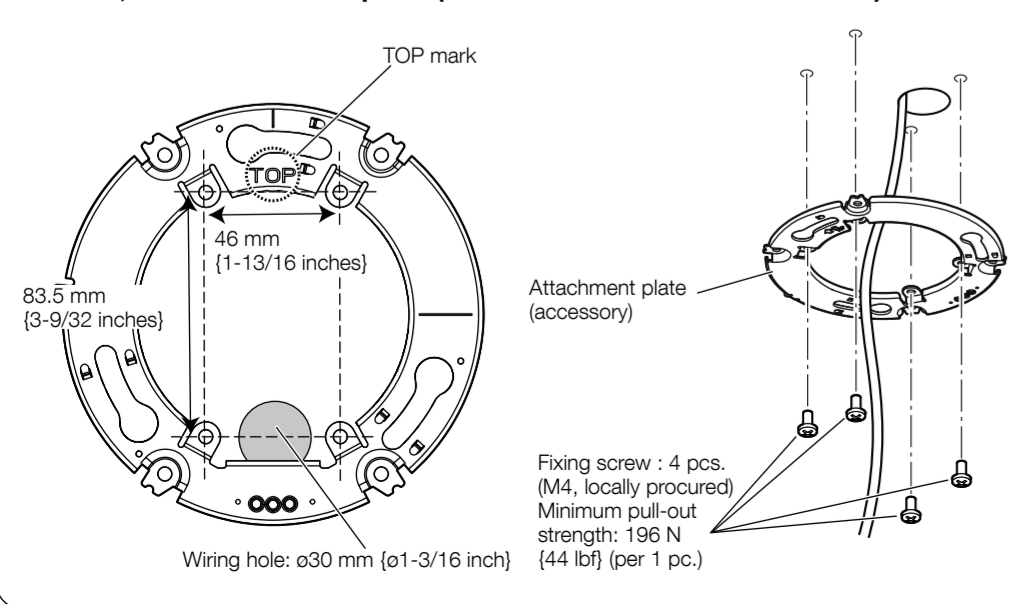
IMPORTANT:
 • Installation work shall be such that there is no exposure to water into the architecture through the conduits having been joined.

Gangbox/ Junction box

- Install the gangbox/ junction box on the installation surface.
- Mount the attachment plate to the junction box.

Directly mount

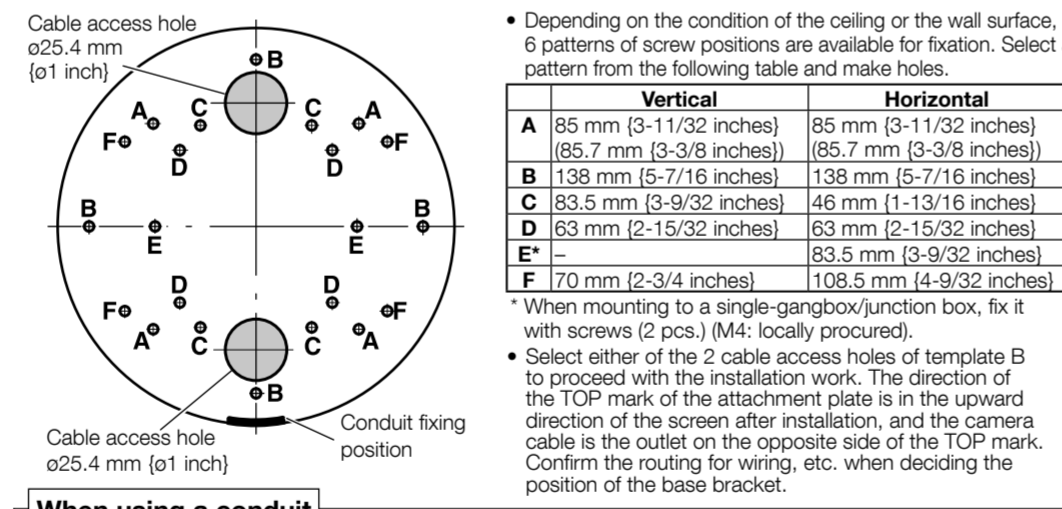
- Align the TOP mark of the template A (accessory) with the direction to be attached (upper direction of the screen), bore holes for fixing screws and a hole for wiring as occasion demands. Then, fix the attachment plate. (4 screw holes / 1 cable access hole)



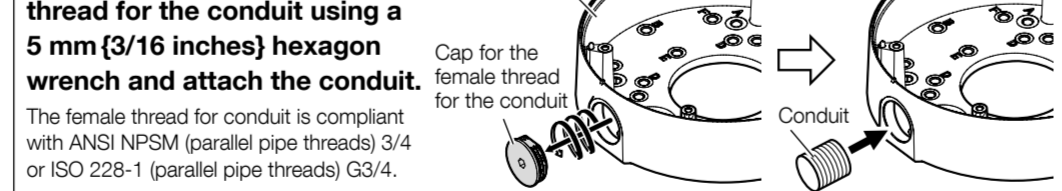
Base bracket (S4576L) (S4556L)

- Make a hole on the installation surface using template B (accessory). (Screw holes (M4:2 or 4 places) / Cable access hole (1 place))

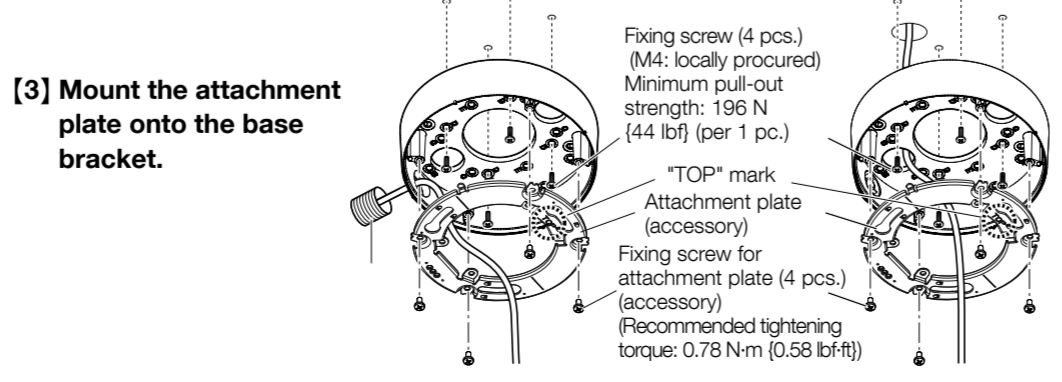
No cable access hole is needed when using conduit



When using a conduit



- Install the base bracket on the installation surface.

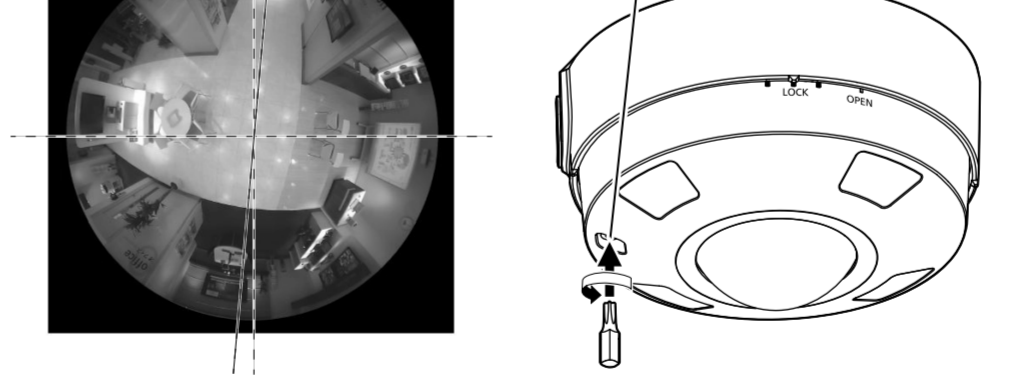


Step4 Adjustment

See the captured image on a PC, and follow the procedure described below for fine adjustment of the upper direction of the screen (camera direction). For camera fixation, three points are available considering "I" of the LOCK mark as 0°; 0° (center), +5° (rightward), or -5° (leftward).

[1] Download and launch "IP Easy Setting Software" <Control No.: C0123> or "I-PRO Setting Tool (iCT)" <Control No.: C0133> on our support website, and connect to the network.

[2] Loosen the camera fixing screw using the bit (accessory).



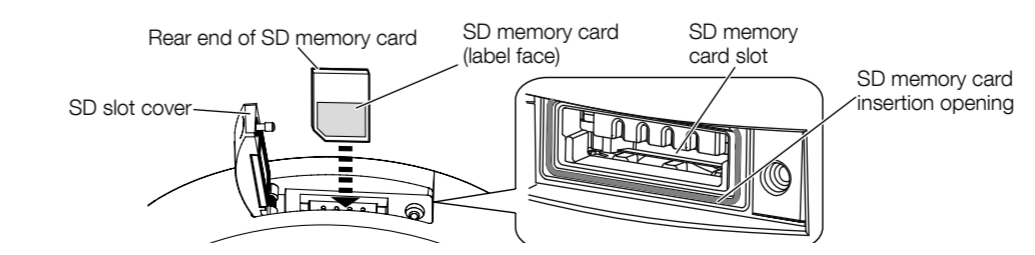
[3] Move the LOCK position of the camera clockwise or counterclockwise to finely adjust the image direction while seeing the captured image on a PC.

[4] Secure the camera by tightening the camera fixing screw.

IMPORTANT:
 • Loosening the camera fixing screw allows the camera to be in the temporary fixed state.

Note:
 • When night shooting is performed using an IR LED, be aware that reflected light may be seen in captured images if the ceiling is close to the camera installed on the wall or the wall is close to the camera installed on the ceiling. In such a case, keep 3 m or more of the distance between the fixation position of the camera and ceiling or wall. For omnidirectional shooting using the IR LED, refer to our support website <Control No.: C0109>.

Insert / remove an SD memory card



IMPORTANT:
 • Before turning off the camera power switch, make sure that the SD MOUNT indicator is turned off.

Note:
 • When using an SD memory card, format it using this product. Refer to the Operating Instructions for how to format an SD memory card.
 • Use compatible SD memory cards. Refer to our support website <Control No.: C0107> for latest information about the compatible SD memory cards.